



**Cangzhou Changyuan Fittings Co.,ltd**  
**Con-Well Metal Vietman Co.,ltd**

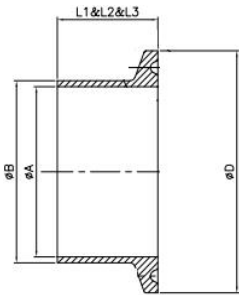
Vietnam plant: Lot 12, N11 Road, Dat Do I Industrial Zone, Phuoc Long Tho Ward, Dat Do District, Ba Ria Vung Tau Province

Head office: No.33 Jiuhe East Road,Development Zone,Cangzhou,Hebei,China 061000

Casting&Forging Plant: No.26 Shigang Road,Development Zone,Cangzhou,Hebei,China 061000

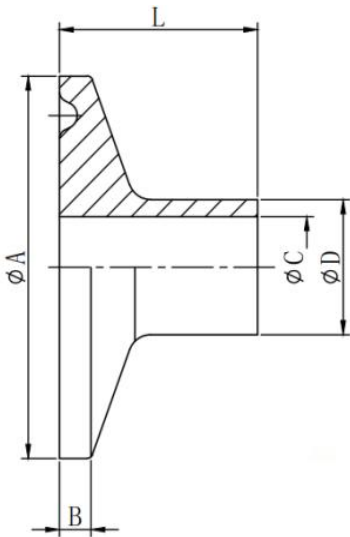
Http://www.con-well.com E-mail: con-well@vip.163.com; sale@con-well.com

**Standard:SMS,Material:304/316L**



SIZE	A	B	D	L1	L2	L3
DN25	22.5	25	50.5	21.5	28.6	12.7
DN38	35.5	38	50.5	21.5	28.6	12.7
DN51	48.5	51	64	21.5	28.6	12.7
DN63.5	60.3	63.5	77.5	21.5	28.6	12.7
DN76	72.9	76.1	91	21.5	28.6	12.7
DN104	100	104	119	21.5	28.6	15.8
DN101.6	97.6	101.6	119	21.5	28.6	15.8

**Standard: DIN,Material:304/316L**



SIZE	A	B	C	D	L		
					14WMP	14MMP	14AMP
DN10	25.4	2.85	9	12	12.7	21.5	28.6
DN10	34.0	2.85	9	12	12.7	21.5	28.6
DN15	25.4	2.85	15	18	12.7	21.5	28.6
DN15	34.0	2.85	15	18	12.7	21.5	28.6
DN20	34.0	2.85	19	22	12.7	21.5	28.6
DN25	50.5	2.85	25	28	12.7	21.5	28.6
DN32	50.5	2.85	31	34	12.7	21.5	28.6
DN40	50.5	2.85	37	40	12.7	21.5	28.6
DN40	50.5	2.85	39	42	12.7	21.5	28.6
DN40	64	2.85	39	42	12.7	21.5	28.6
DN50	64	2.85	49	52	12.7	21.5	28.6
DN50	64	2.85	50	53	12.7	21.5	28.6
DN65	91	2.85	66	70	12.7	21.5	28.6
DN80	106	2.85	81	85	12.7	21.5	28.6
DN100	119	2.85	100	104	12.7	21.5	28.6
DN125	145	3	125	129	/	21.5	28.6
DN125	155	5.6	125	129		21.5	28.6
DN150	166.88	5.6	150	154		21.5	28.6
DN150	183	5.6	150	154		21.5	28.6
DN200	217.7	5.6	200	204		21.5	28.6
DN200	233.5	5.6	200	204		21.5	28.6



**Cangzhou Changyuan Fittings Co.,ltd**

**Con-Well Metal Vietman Co.,ltd**

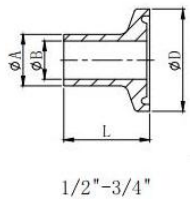
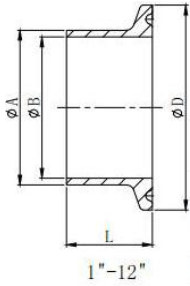
Vietnam plant: Lot 12, N11 Road, Dat Do I Industrial Zone, Phuoc Long Tho Ward, Dat Do District, Ba Ria Vung Tau Province

Head office: No.33 Jiuhe East Road,Development Zone,Cangzhou,Hebei,China 061000

Casting&Forging Plant: No.26 Shigang Road,Development Zone,Cangzhou,Hebei,China 061000

Http://www.con-well.com E-mail: con-well@vip.163.com; sale@con-well.com

**Standard:3A,Material:304/316L**



SIZE	A	B	D	L			Unit weight/kg		
				14WMP	14MMP	14AMP	14WMP	14MMP	14AMP
1/2"	12.7	9.4	25.2	12.7	21.5	28.6	0.017	0.020	0.023
3/4"	19.05	15.7	25.2	12.7	21.5	28.6	0.012	0.018	0.023
1"	25.4	22.1	50.5	12.7	21.5	28.6	0.067	0.075	0.083
1 1/4"	31.8	28.5	50.5	12.7	21.5	28.6	0.040	0.052	0.068
1 1/2"	38.1	34.8	50.5	12.7	21.5	28.6	0.040	0.052	0.068
2"	50.8	47.5	64	12.7	21.5	28.6	0.056	0.077	0.092
2 1/2"	63.5	60.2	77.5	12.7	21.5	28.6	0.076	0.100	0.117
3"	76.2	72.9	91	12.7	21.5	28.6	0.097	0.126	0.143
4"	101.6	97.33	119	15.8	21.5	28.6	0.117	0.211	0.248
6"	152.4	146.8	166.88	21.5	28.6	38.1	0.584	0.639	0.713
8"	203.2	197.6	217.7	21.5	28.6	38.1	0.607	0.707	0.837
10"	254.0	247.19	268.5	21.5	28.6	38.1	0.759	0.872	1.049
12"	304.8	297.99	319	21.5	28.6	38.1	0.920	1.100	1.340



**Cangzhou Changyuan Fittings Co.,ltd**

**Con-Well Metal Vietman Co.,ltd**

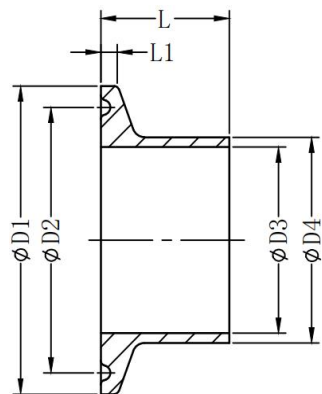
Vietnam plant: Lot 12, N11 Road, Dat Do I Industrial Zone, Phuoc Long Tho Ward, Dat Do District, Ba Ria Vung Tau Province

Head office: No.33 Jiuhe East Road,Development Zone,Cangzhou,Hebei,China 061000

Casting&Forging Plant: No.26 Shigang Road,Development Zone,Cangzhou,Hebei,China 061000

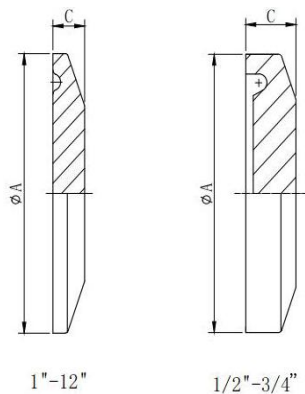
Http://www.con-well.com E-mail: con-well@vip.163.com; sale@con-well.com

**Standard:ISO,Material:304/316L**



SIZE	D1	D2	D3	D4	L1	unit weight(KG)	
						L=21.5	L=28.6
DN6	34	27.5	7	10.2	2.85	0.035	0.037
DN8	34	27.5	10.3	13.5	2.85	0.035	0.037
DN10	34	27.5	14	17.2	2.85	0.030	0.034
DN15	34	27.5	18.1	21.3	2.85	0.030	0.034
DN20	50.5	43.5	23.7	26.9	2.85	0.074	0.081
DN25	50.5	43.5	30.5	33.7	2.85	0.063	0.072
DN32	50.5	43.5	39.2	42.4	2.85	0.052	0.063
DN40	64	56.5	44.6	48.6	2.85	0.089	0.105
DN50	77.5	70.5	56.3	60.3	2.85	0.130	0.150
DN65	91	83.5	72.1	76.1	2.85	0.138	0.163
DN80	106	97	84.9	88.9	2.85	0.176	0.210
DN100	130	122	109.1	114.3	2.85	0.220	0.270
DN125	155	146	133.7	139.7	5.6	0.369	0.440
DN150	183	174	162.3	168.3	5.6	0.420	0.510
DN200	233.5	225	211.1	219.1	5.6	0.607	0.720

## Blind liner, Material:304/316L



SIZE	A±0.1	C±0.15	Unit weight/kg
1/2"-3/4"	25.2	5	0.015
1/2"	34	5	0.035
1"-11/2"	50.5	6.3	0.078
2"	64	6.3	0.132
2 1/2"	77.5	6.3	0.201
3"	91	6.3	0.280
3 1/2"	106	6.3	0.440
4"	119	7.9	0.588
4 1/2"	130	11.1	1.160
5"	155	11.1	1.640
6"	166.88	11.1	1.768
8"	217.7	11.1	3.034
10"	268.5	11.1	4.900
12"	319	11.1	6.636



# Cangzhou Changyuan Fittings Co.,ltd Con-Well Metal Vietnam Co.,ltd

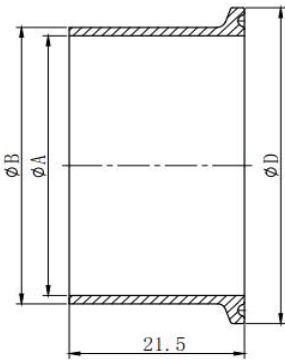
Vietnam plant: Lot 12, N11 Road, Dat Do I Industrial Zone, Phuoc Long Tho Ward, Dat Do District, Ba Ria Vung Tau Province

Head office: No.33 Jiuhe East Road,Development Zone,Cangzhou,Hebei,China 061000

Casting&Forging Plant: No.26 Shigang Road,Development Zone,Cangzhou,Hebei,China 061000

Http://www.con-well.com E-mail: con-well@vip.163.com; sale@con-well.com

## Standard:SMS,Material:304/316L



SIZE	A	B	D	C	unit weight/kg
Ø12.7	9.7	12.7	25.4	2.85	0.020
Ø12.7	9.7	12.7	34	2.85	0.034
Ø12.7	9.7	12.7	50.5	2.85	--
Ø14	11	14	50.5	2.85	--
Ø16	13	16	50.5	2.85	--
Ø19	16	19	25.4	2.85	0.018
Ø19	16	19	34	2.85	0.032
Ø19	16	19	40	2.85	0.046
Ø19	16	19	50.5	2.85	0.082
Ø25	22.4	25.4	40	2.85	0.040
Ø25	22.5	25	50.5	2.85	0.074
Ø32	28.8	31.8	40	2.85	0.040
Ø32	28.8	31.8	50.5	2.85	0.063
Ø38	35.1	38.1	50.5	2.85	0.052
Ø45	42	45	64	2.85	0.089
Ø51	47.8	50.8	64	2.85	0.073
Ø57	53	57	64	2.85	0.060
Ø57	53	57	77.5	2.85	0.132
Ø63	59.5	63.5	77.5	2.85	0.111
Ø76	72.2	76.2	91	2.85	0.138
Ø89	84.9	88.9	106	2.85	0.176
Ø102	97.6	101.6	119	2.85	0.205
Ø108	104	108	119	2.85	0.163
Ø114	110	114.3	130	3	0.220
Ø133	129	133	145	3	0.213
Ø133	129	133	155	5.6	--
Ø140	134.7	139.7	155	5.6	0.369
Ø152	146.8	152.4	167	5.6	0.411
Ø159	153	159	183	3.6	0.529
Ø159	153	159	183	5.6	0.584
Ø168	162	168	183	5.6	0.420
Ø203	197.6	203.2	217.7	5.6	0.550
Ø219	213	219	233.5	5.6	0.607
Ø254	248	254	268.5	5.6	0.759
Ø273	267	273	286	5.6	0.580
Ø273	267	273	305	5.6	0.860
Ø305	299	305	319	5.6	0.920
Ø325	317	325	345	5.6	1.100
Ø350	348	356	380	5.6	1.300
Ø406	398	406	430	5.6	1.600
Ø425	417	425	450	5.6	1.700