



Cangzhou Changyuan Fittings Co., Ltd.

Con-Well Metal Vietnam Co., Ltd.

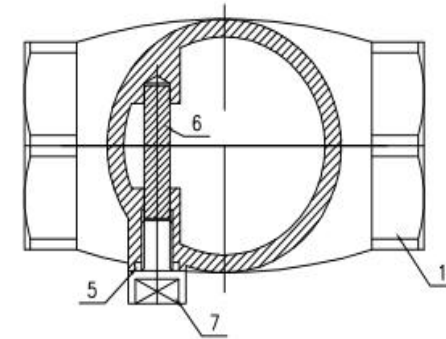
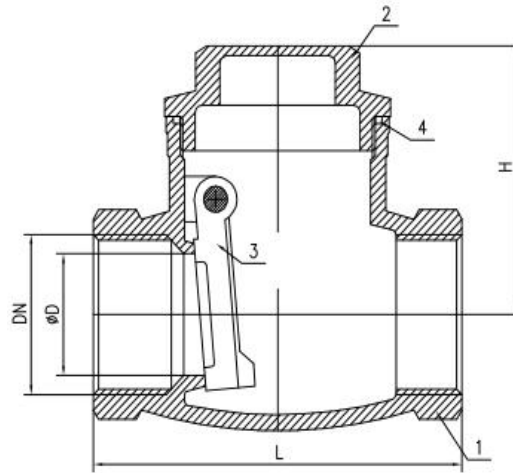
Vietnam plant: Lot 12, N11 Road, Dat Do I Industrial Zone, Phuoc Long Tho Ward, Dat Do District, Ba Ria Vung Tau Province

Head office: No.33 Jiuhe East Road,Development Zone,Cangzhou,Hebei,China 061000

Casting&Forging Plant: No.26 Shigang Road,Development Zone,Cangzhou,Hebei,China 061000

Http://www.con-well.com E-mail: con-well@vip.163.com; sale@con-well.com

Swing Check Valve



Material list:

ITEM	DESCRIPTION	MATERIAL
1	BODY	CF8/CF8M
2	CAP	CF8/CF8M
3	DISC	CF8/CF8M
4	GASKET	PTFE
5	PLUG GASKET	PTFE
6	PIN	304/316
7	SCREW	304/316

Dimensions list:

DN	1/2"	3/4"	1"	1 1/4"	1 1/2"	2"
ØD	15	20	24	32	40	48
H	41.5	51.5	56.5	70	75	80
L	64	80	90	104	119	137