



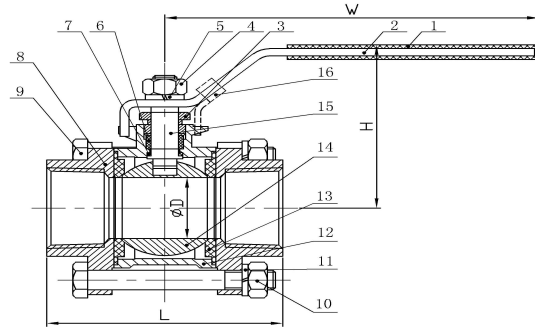
Cangzhou Changyuan Fittings Co.,Ltd Con-Well Metal Vietnam Co.,Ltd

Vietnam plant: Lot 12, N11 Road, Dat Do I Industrial Zone, Phuoc Long Tho Ward, Dat Do District, Ba Ria Vung Tau Province

Head office: No.33 Jiuhe East Road, Development Zone, Cangzhou, Hebei, China 061000

Casting & Forging Plant: No.26 Shigang Road, Development Zone, Cangzhou, Hebei, China 061000

Http://www.con-well.com E-mail: con-well@vip.163.com; sale@con-well.com



3 PC BALL VALVE (FULL PORT) (mm)

DN	G	D	L	H	W	Unit Weight(KG)	Qty/Carton
8	1/4"	12.5	55.0	45.0	100.00		
10	3/8"	12.5	60.0	45.0	100.00		
15	1/2"	15.0	75.0	49.0	100.00		
20	3/4"	20.0	80.0	60.0	112.00		
25	1"	25.0	90.0	64.0	112.00		
32	1 1/4"	32.0	110.0	80.0	145.00		
40	1 1/2"	38.0	120.0	83.0	145.00		
50	2"	50.0	140.0	97.0	165.00		
65	2 1/2"	65.0	185.0	118.0	230.0		
80	3"	76.0	205.0	125.0	230.0		
100	4"	94.0	240.0	169.0	300.0		

MATERIAL LIST

ITEM	DESCRIPTION	MATERIAL
1	PLASTIC COVER	PLASTIC
2	HANDLE	304
3	GLAND NUT	304
4	STEM NUT	304
5	THRUST WASHER	304
6	STEM PACKING	PTFE
7	THRUST WASHER	PTFE
8	CAP	CF8/CF8M
9	BOLT	304
10	NUT	304
11	THRUST WASHER	304
12	BODY	CF8/CF8M
13	BALL SEAT	PTFE/RPTFE
14	BALL	304/316
15	STEM	304/316
16	LOCKING	304

FEATURES:

- Handle with lock can be choiced.
- Working pressure: 1000PSI(PN64).
- Working temperature: -10°C to 150°C.
- Suitable medium: W.O.G.
- Thread: BSP, BSPT, DIN, NPT.
- PED97/23/EC(CE0343)Approved.
- Inspection Testing: API598, EN12266.